

Telchine Injection Skid

187 Gallons 4" Pressurized Destruct, 240V

Description of Operations



Ozone gas can be used to disinfect a water supply when it is injected into a side stream of treatment water. The ozone acts as an oxidant, which sanitizes the water, in the same way as chlorine or other oxidants. The ozone is mixed with the water through a venturi, and then pumped into a large vessel called a contact tank, where the water is disinfected over time. The gas and liquid mixture separate in the contact tank and the ozone is degassed from the solution. A P-trap demister removes excess moisture from the off-gas stream and then goes through a heated destruct which catalyzes the ozone into oxygen for safety.

The Telchine Injection skid includes all the necessary components for ozone side stream injection. This includes an injection pump, ozone venturi injector, contact tank, degas valve, destruct, and P-trap demister. All components are mounted to an aluminum Skid frame for convenient installation and servicing of all components. Simply install the

injection skid, plumb the inlet and outlet side stream connections, run ozone to the injector, and connect power.

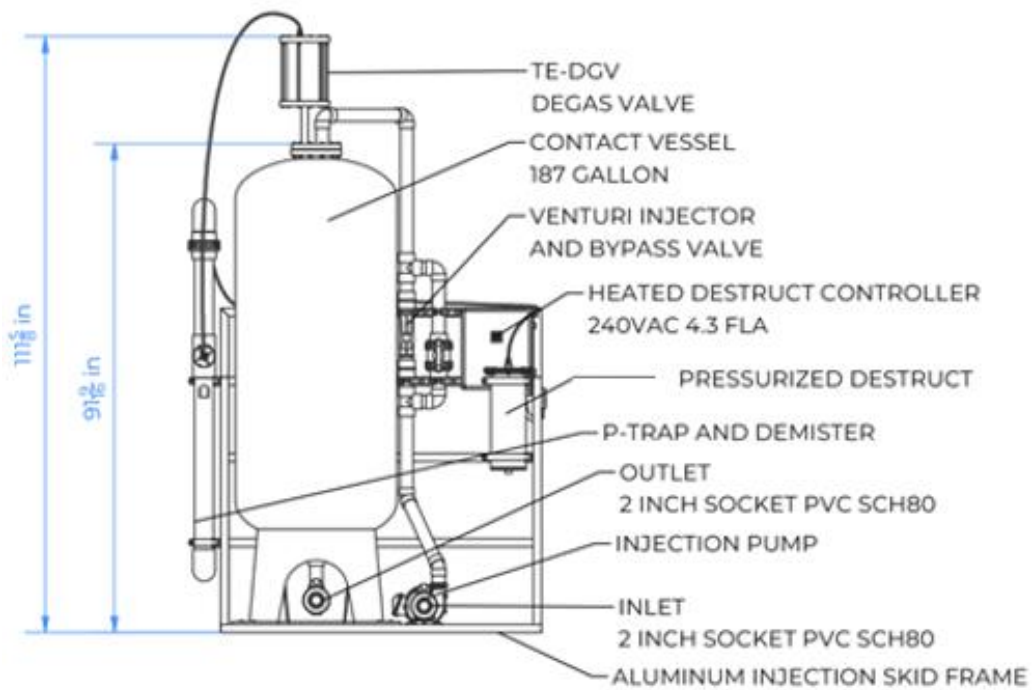
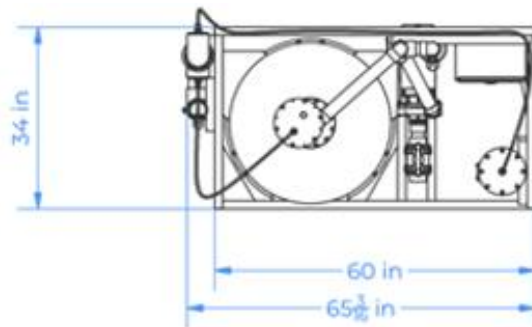
FEATURES

- Includes all necessary components for ozone side stream injection and off-gas ozone destruction.
- Matched components and system size reduces engineering specifications, with validated system performance.
- Corrosion Resistant Aluminum 6061 Frame.
- Fully lined contact tank, for maximum ozone compatibility.

SPECIFICATIONS

Rated Flow Rate	80-100 GPM
Design Gas Suction	180 SCFH at 10 PSI differential
Inlet Connection Size	2-inch socket PVC Schedule 80
Outlet Connection Size	2-inch socket PVC Schedule 80
Valve	Ball valve, Asahi Type 21
Pump	MDM Advance Series Pump
Injector	Venturi injector, Mazzei 2081-A 2 x 2 x 1-1/4
Plumbing	Solvent-Welded Spears PVC Schedule 80 PVC pipe and fittings. CPVC flanges on contact vessel.
Contact Tank	Flow through contact vessel, Pentair structural 30 x 72, polyethylene lined shell. NSF 61 Listed
Degas Valve	Telchine single degas valve TE-DGV01. CPVC and Glass, with Aflas O-rings.
P-Trap	Telchine P-Trap with demister section. 3 in PVC Schedule 80 with clear demister section.
Ozone Gas Plumbing	3/8" PTFE tubing with stainless-steel 316L compression fittings.
Destruct	Telchine heated destruct, pressurized, 4-inch.
Destruct Controller	Integral thermocouple, temperature controlled with adjustable setpoint. 240VAC Connection.

DIMENSIONS



SPARE PARTS

Refer to individual component specifications sheet for spare parts information.

To order a spare part or for system troubleshooting and service, submit a service ticket to info@telchine-rd.com

